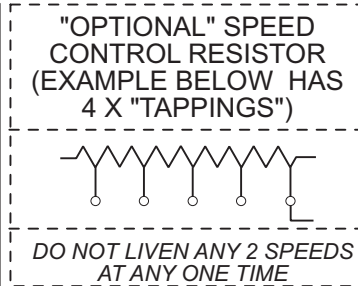
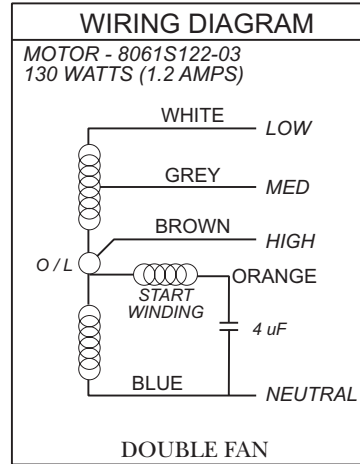
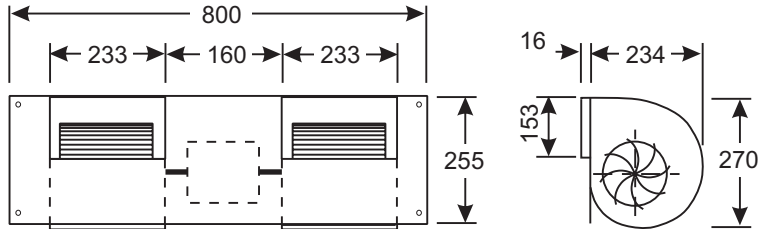


# AVON MODEL TDI 154 FAN "DIRECT DRIVE" FORWARD CURVED CENTRIFUGAL FAN DECK WITH INTEGRAL 3 SPEED MOTOR



**Avon**  
ELECTRIC Ltd

PHONE (03) 381-5595  
FAX (03) 381-5596

## HOUSING AND WHEEL - MATERIALS

- GALVABOND STEEL

## MOTOR -

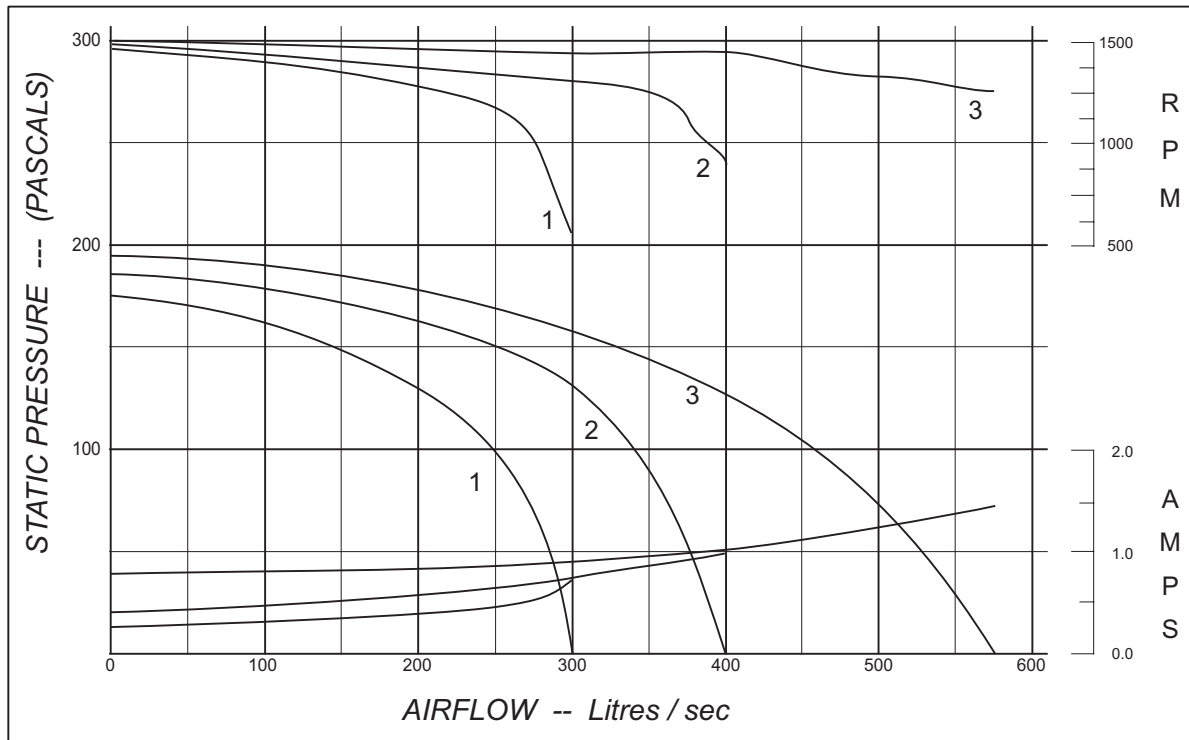
- VERY EFFECTIVE RESILIENT MOUNTING
- 240 VOLTS 50 Hz 1 PH C.S.R.
- 4 POLE 3 SPEED 130 WATTS OUTPUT
- BALL BEARINGS, VENTED CASE & END SHIELDS
- CLASS B INSULATION
- AUTOMATIC THERMAL OVERLOAD PROTECTION.

## OPTIONS -

- HOUSING SUPPORT BRACKETS.
- SPEED CONTROL RESISTOR

## NOTES

- MOTOR IS NOT SUITABLE FOR ELECTRONIC SPEED CONTROL.
- IF SPEED CONTROL IS NECESSARY AN OPTIONAL "OPEN WOUND", RESISTOR IS INSTALLED ACROSS FAN INLET.
- RESISTOR CAN BE CONNECTED TO ANY INDIVIDUAL MOTOR SPEED, OR ACROSS NEUTRAL TO CONTROL ALL THREE SPEEDS -- TAPPINGS ENABLE SPEED SELECTION WHEN COMMISSIONING.
- RESISTOR HAS OWN OVERTEMP PROTECTION, & WITH 4 X "TAPPINGS", COSTS \$ 68



\* TO CONVERT TO CFM - DIVIDE LPS BY 0.4719  
\* TO CONVERT TO WG - DIVIDE PA BY 249

PERFORMANCE WITH  
4 uF CAPACITOR