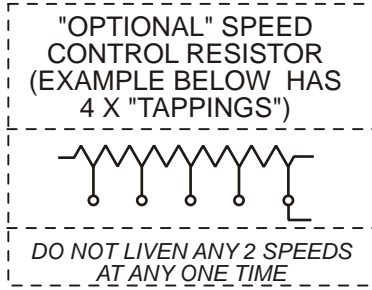
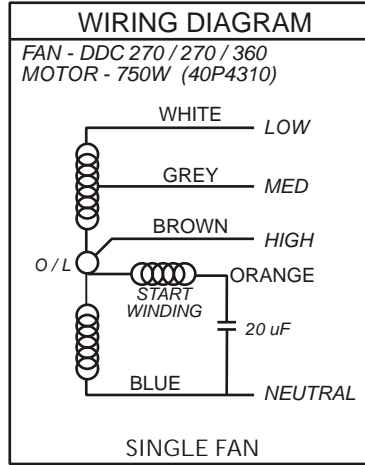
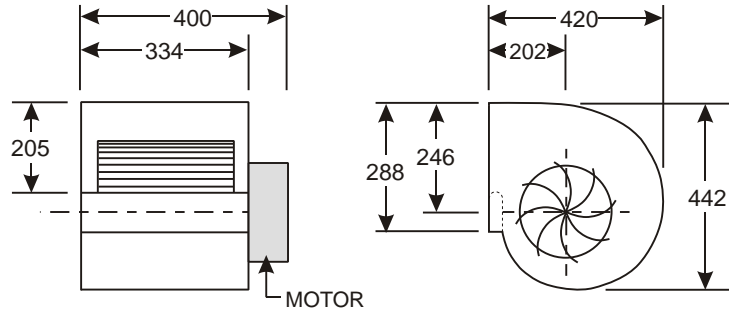


AVON MODEL 360 FAN
 "DIRECT DRIVE" FORWARD CURVED
 CENTRIFUGAL FAN INTEGRAL
 3 SPEED BALL BEARING MOTOR



Avon
 ELECTRIC Ltd

PHONE (03) 381-5595
 FAX (03) 381-5596

HOUSING AND WHEEL - MATERIALS

- GALVABOND STEEL

MOTOR -

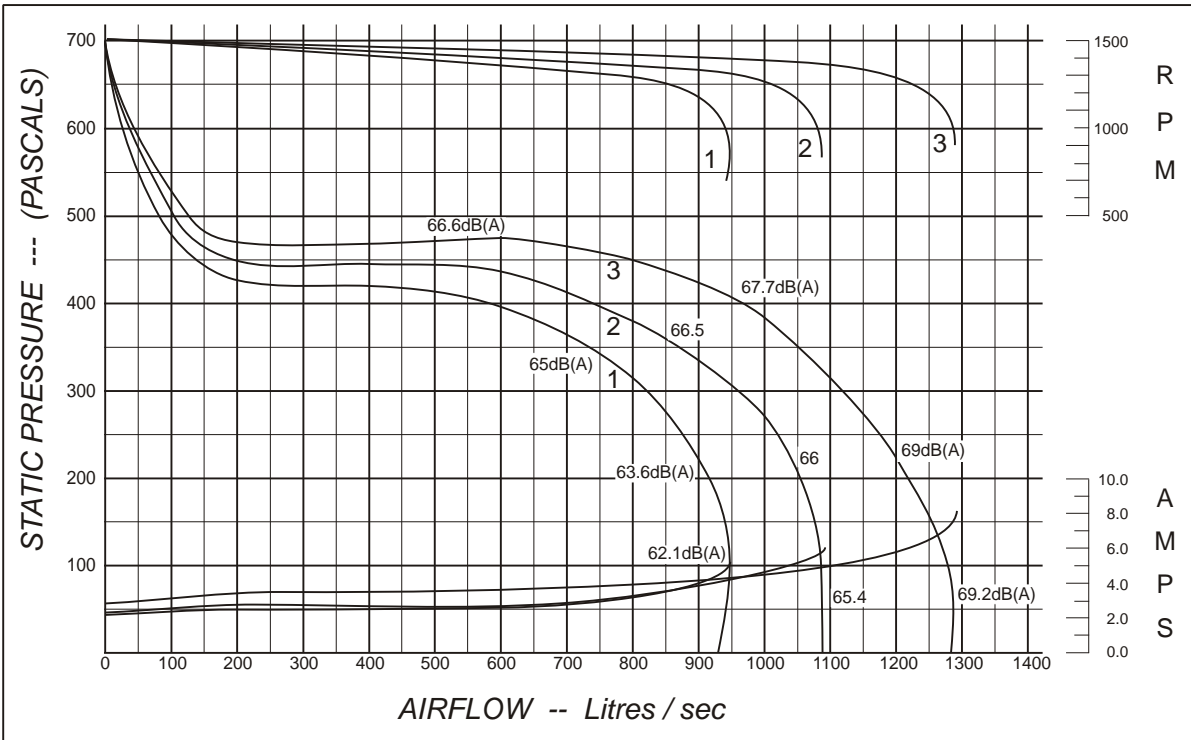
- VERY EFFECTIVE RESILIENT MOUNTING
- 240 VOLTS 50 Hz 1 PH C.S.H.
- 4 POLE 3 SPEED 750 WATTS OUTPUT
- BALL BEARINGS, VENTED CASE & END SHIELDS
- CLASS B INSULATION
- AUTOMATIC THERMAL OVERLOAD PROTECTION.

OPTIONS -

- HOUSING SUPPORT BRACKETS.
- SPEED CONTROL RESISTOR

NOTES

- MOTOR IS NOT SUITABLE FOR ELECTRONIC SPEED CONTROL.
- IF SPEED CONTROL IS NECESSARY AN OPTIONAL "OPEN WOUND", RESISTOR IS INSTALLED ACROSS FAN INLET.
- RESISTOR CAN BE CONNECTED TO ANY INDIVIDUAL MOTOR SPEED, OR ACROSS NEUTRAL TO CONTROL ALL THREE SPEEDS -- TAPPINGS ENABLE SPEED SELECTION WHEN COMMISSIONING.
- RESISTOR HAS OWN OVERTEMP PROTECTION, & WITH 4 X "TAPPINGS", COSTS \$ 68
- NOISE LEVELS APPROXIMATE ONLY



* TO CONVERT TO CFM - DIVIDE LPS BY 0.4719 PERFORMANCE WITH APPROX SOUND
 * TO CONVERT TO WG - DIVIDE PA BY 249 20 uF CAPACITOR LEVELS AS SHOWN