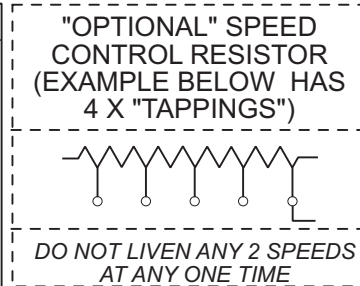
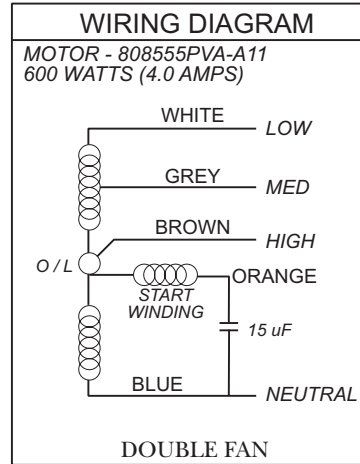
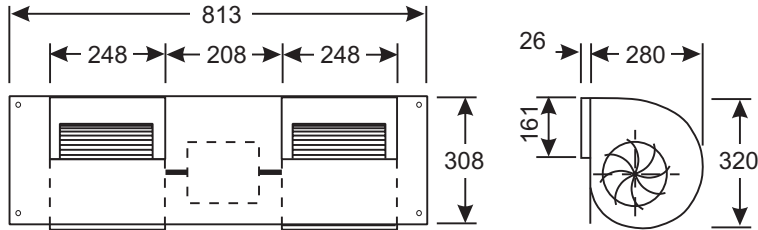


AVON MODEL 041 FAN

"DIRECT DRIVE" FORWARD CURVED CENTRIFUGAL FAN WITH INTEGRAL 3 SPEED MOTOR



Avon
 ELECTRIC Ltd

PHONE (03) 381-5595
 FAX (03) 381-5596

HOUSING AND WHEEL - MATERIALS

- GALVABOND STEEL

MOTOR -

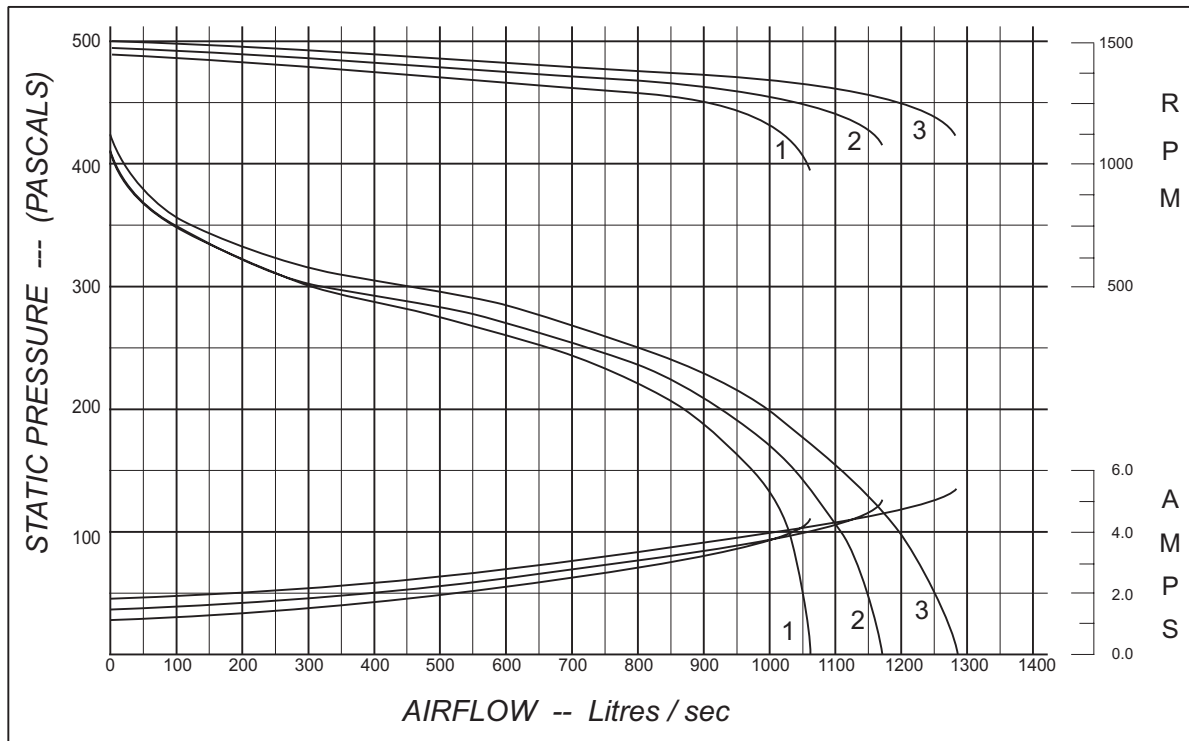
- VERY EFFECTIVE RESILIENT MOUNTING
- 240 VOLTS 50 Hz 1 PH C.S.R.
- 4 POLE 3 SPEED 600 WATTS OUTPUT
- BALL BEARINGS, VENTED CASE & END SHIELDS
- CLASS B INSULATION
- AUTOMATIC THERMAL OVERLOAD PROTECTION.

OPTIONS -

- HOUSING SUPPORT BRACKETS.
- SPEED CONTROL RESISTOR

NOTES

- MOTOR IS NOT SUITABLE FOR ELECTRONIC SPEED CONTROL.
- IF SPEED CONTROL IS NECESSARY AN OPTIONAL "OPEN WOUND", RESISTOR IS INSTALLED ACROSS FAN INLET.
- RESISTOR CAN BE CONNECTED TO ANY INDIVIDUAL MOTOR SPEED, OR ACROSS NEUTRAL TO CONTROL ALL THREE SPEEDS -- TAPPINGS ENABLE SPEED SELECTION WHEN COMMISSIONING.
- RESISTOR HAS OWN OVERTEMP PROTECTION, & WITH 4 X "TAPPINGS", COSTS \$ 68



* TO CONVERT TO CFM - DIVIDE LPS BY 0.4719
 * TO CONVERT TO WG - DIVIDE PA BY 249

PERFORMANCE WITH
 15 uF CAPACITOR