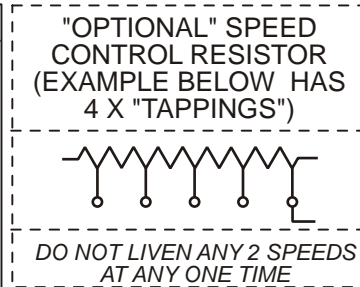
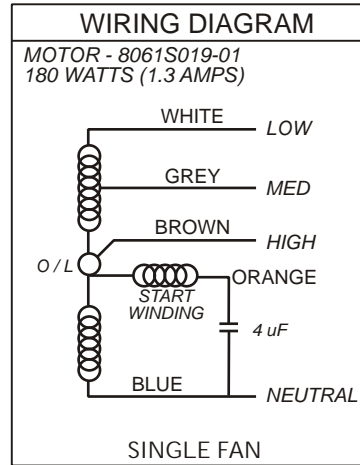
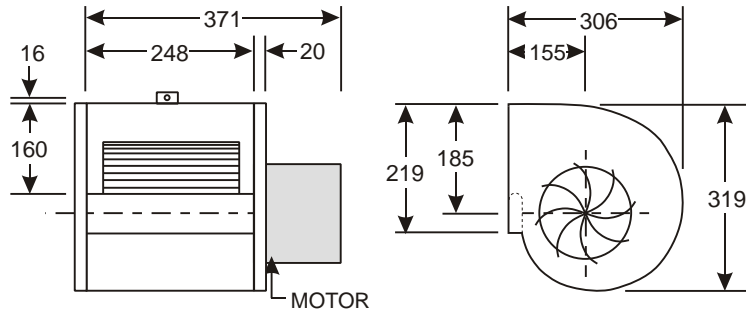


AVON MODEL 039 FAN

"DIRECT DRIVE" FORWARD CURVED
CENTRIFUGAL FAN INTEGRAL
3 SPEED BALL BEARING MOTOR



Avon
ELECTRIC Ltd

PHONE (03) 381-5595
FAX (03) 381-5596

HOUSING AND WHEEL - MATERIALS

- HOUSING : GALVABOND STEEL
- WHEEL : POLYPROPYLENE

MOTOR -

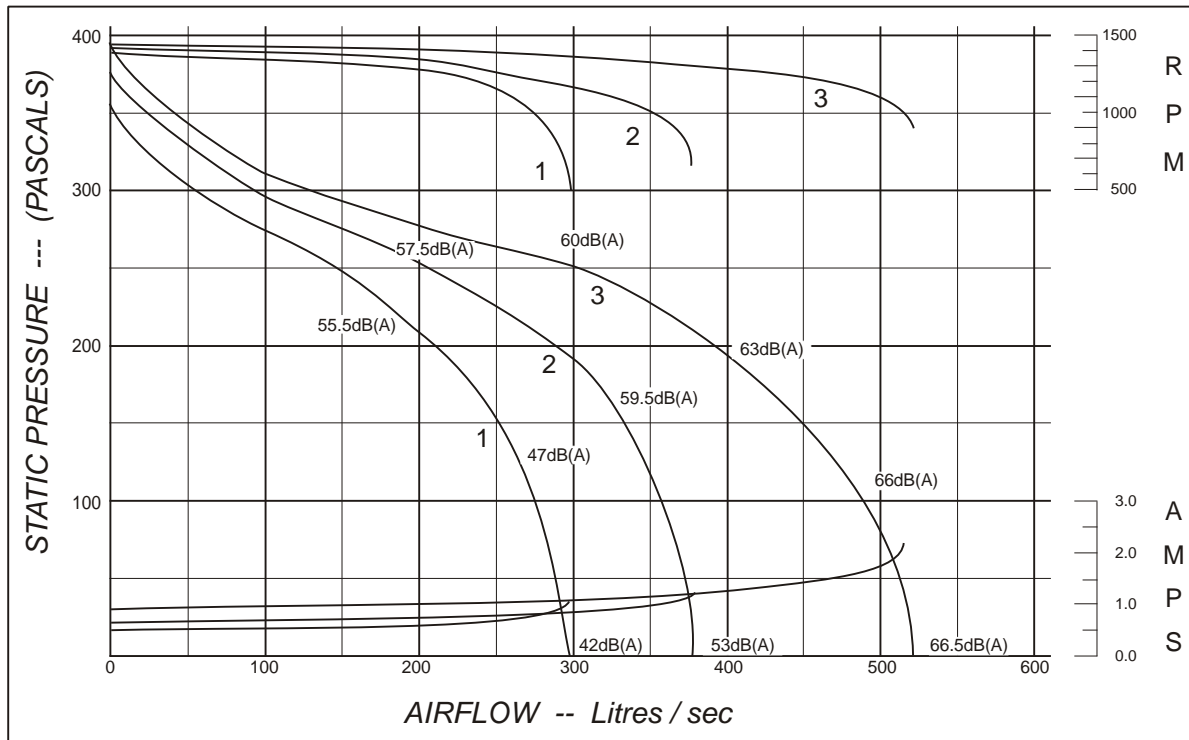
- VERY EFFECTIVE RESILIENT MOUNTING
- 240 VOLTS 50 Hz 1 PH C.S.R.
- 4 POLE 3 SPEED 180 WATTS OUTPUT
- BALL BEARINGS, VENTED CASE & END SHIELDS
- CLASS B INSULATION
- AUTOMATIC THERMAL OVERLOAD PROTECTION.

OPTIONS -

- HOUSING SUPPORT BRACKETS.
- SPEED CONTROL RESISTOR

NOTES

- MOTOR IS NOT SUITABLE FOR ELECTRONIC SPEED CONTROL.
- IF SPEED CONTROL IS NECESSARY AN OPTIONAL "OPEN WOUND", RESISTOR IS INSTALLED ACROSS FAN INLET.
- RESISTOR CAN BE CONNECTED TO ANY INDIVIDUAL MOTOR SPEED, OR ACROSS NEUTRAL TO CONTROL ALL THREE SPEEDS -- TAPPINGS ENABLE SPEED SELECTION WHEN COMMISSIONING.
- RESISTOR HAS OWN OVERTEMP PROTECTION, & WITH 4 X "TAPPINGS", COSTS \$ 68
- NOISE LEVELS APPROXIMATE ONLY



* TO CONVERT TO CFM - DIVIDE LPS BY 0.4719
* TO CONVERT TO WG - DIVIDE PA BY 249

PERFORMANCE WITH
4 uF CAPACITOR